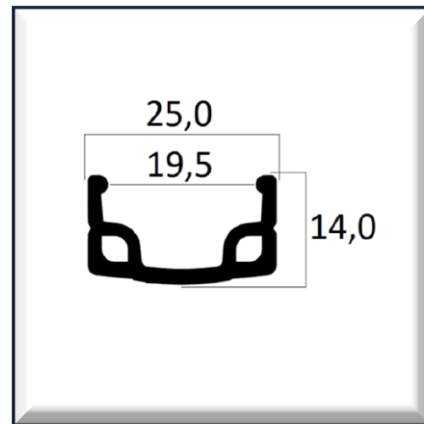


Alu H-25

<i>Finiture</i>	• <i>Finishings</i>
Naturale Grezzo	• Mill Finish
Anodizzato Argento	• Silver Anodised
Anodizzato Nero	• Black Anodised
Verniciato	• Powder Coated
Lucidato	• Polished



<i>Misure / Sizes</i>	<i>E.T.R.T.O.</i>	<i>Fori / Holes</i>	<i>Peso / Weight</i>
26x1 1/2	584 - 19	36	475 gr.
26x1 3/8	590 - 19	36	480 gr.